

**EVALUATION REPORT OF
UNION CORRUGATING COMPANY
'29 GA. MASTERRIB PANEL'
OVER WOOD SUPPORTS**

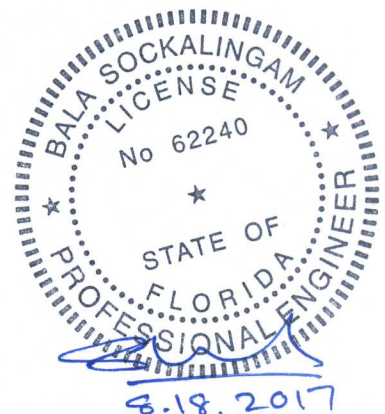
**FLORIDA BUILDING CODE 6TH EDITION (2017)
FLORIDA PRODUCT APPROVAL
FL 9557.2-R4
PANEL WALLS
SIDING**

**Prepared For:
Union Corrugating Company
701 S. King St.
Fayetteville, NC 28301
Telephone: (910) 483-0479
Fax: (910) 483-1091**

**Prepared By:
Bala Sockalingam, Ph.D., P.E.
Florida Professional Engineer #62240
1216 N Lansing Ave., Suite C
Tulsa, OK 74106
Telephone: (918) 492-5992
FAX: (866) 366-1543**

**This report consists of
Evaluation Report (2 Pages including cover)
Installation Details (1 Page)
Load Span Table (1 Page)**

**Report No. C2173-2
Date: 8.18.2017**



Manufacturer: Union Corrugating Company

Product Name: MasterRib Panel

Panel Description: 36" wide coverage with 3/4" high ribs at 9" o.c.

Materials: Minimum 29 ga., 80 ksi steel. Galvanized coated steel (ASTM A653) or Galvalume coated steel (ASTM A792) or painted steel (ASTM A755).

Support Description: Nom. 2" x 2" (min) SPF, SYP or DF lumber
(Must be designed by others)

Design Pressure: +45.35 and -36.2 psf @ support spacing of 48" o.c.
(Based on testing) (@ 3 span condition with FS = 2.0)

Panel Attachment: #9-15 or #10-14 x 1.5" long wood screws with washers
At panel ends @ 3.5"-5.5"-3.5" o.c. across panel width
At intermediate @ 9" o.c. across panel width

Sidelap Attachment: 1/4"-14 x 7/8" long SDS with washer @ 24" o.c.

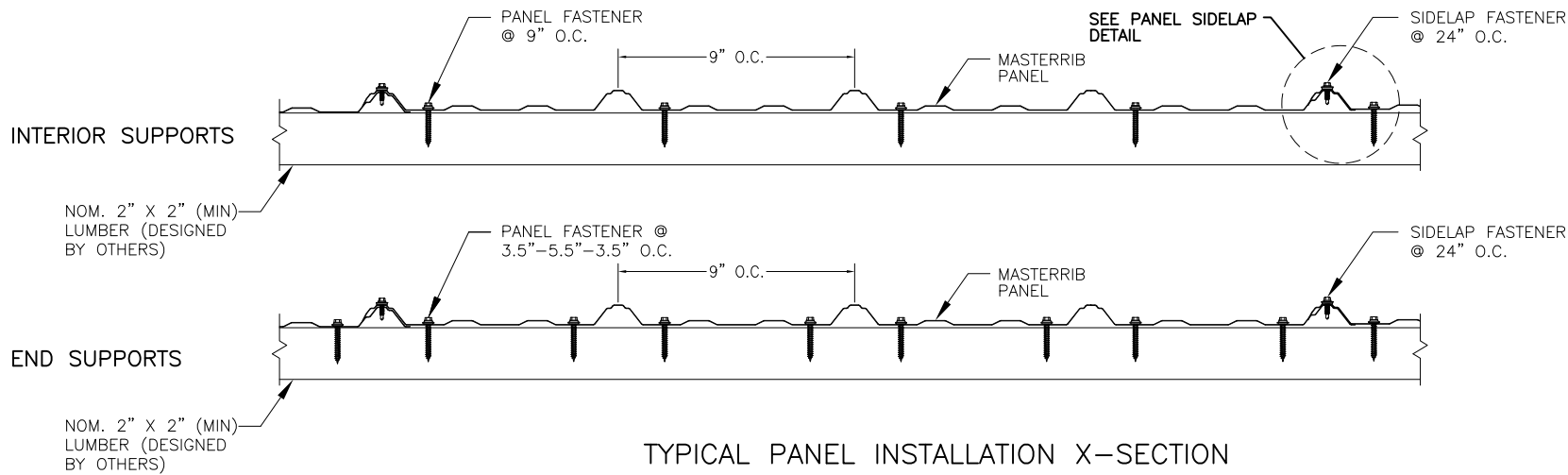
Test Standards: Panel assembly tested in accordance with ASTM E1592-01 'Test Method for Structural Performance of Sheet Metal Roof and Siding Systems by Uniform Static Air Pressure Difference'.

Test Equivalency: The test procedures in ASTM E1592-01 comply with test procedures prescribed in ASTM E1592-05(2012).

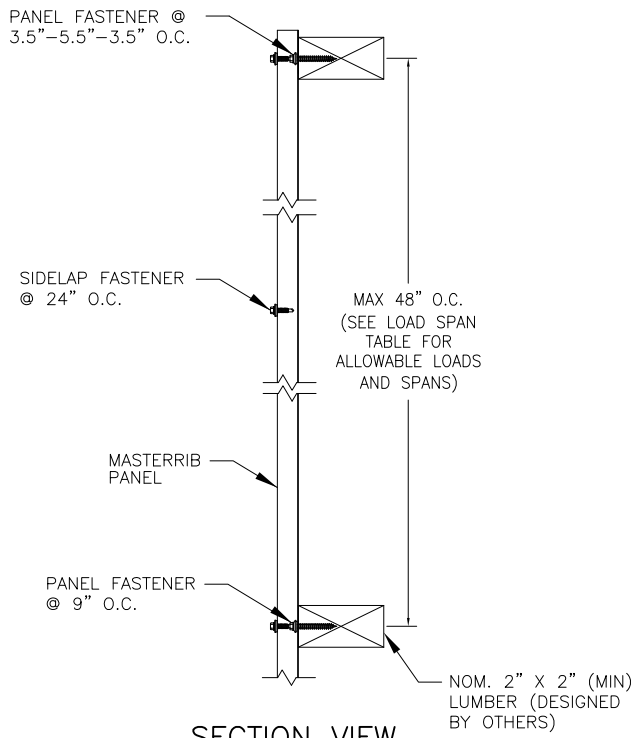
Code Compliance: The product described herein has demonstrated compliance with FBC 2017 Section 1404.5.

Product Limitations: Design wind loads shall be determined for each project in accordance with FBC 2017 Section 1609 or ASCE 7-10 using allowable stress design. The maximum support spacing listed herein shall not be exceeded. The design pressure for reduced support spacing may be computed using rational analysis prepared by a Florida Professional Engineer or based on Union Corrugating load span table. This product is not approved for use in the High Velocity Hurricane Zone.

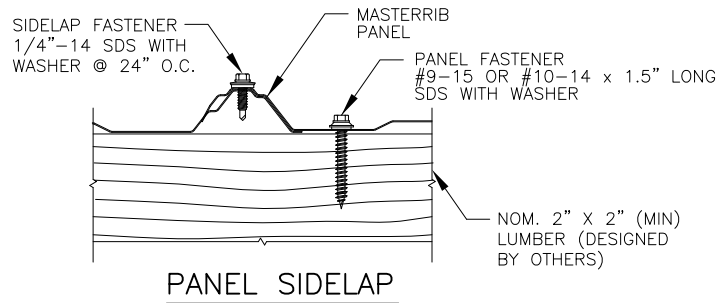
Supporting Documents: ASTM E1592 Test Report
ENCON Technology Inc.
C1514-1 (Test #2 & 3), Reporting Date 9/8/07



TYPICAL PANEL INSTALLATION X-SECTION



SECTION VIEW



PANEL SIDELAP

GENERAL NOTES:

1. WALL PANEL HAS BEEN DESIGNED IN ACCORDANCE WITH THE FLORIDA BUILDING CODE (FBC).
2. WALL PANELS SHALL BE 29 GA. (t = 0.013"). EFFECTIVE COVERING WIDTH OF PANEL = 36".
3. WALL PANELS SHALL BE INSTALLED OVER STRUCTURE AS SPECIFIED ON THIS DRAWING.
4. REQUIRED DESIGN WIND LOADS SHALL BE DETERMINED FOR EACH PROJECT. THIS PANEL SYSTEM MAY NOT BE INSTALLED WHEN THE REQUIRED DESIGN WIND LOADS ARE GREATER THAN THE ALLOWABLE DESIGN LOADS.
5. ALL FASTENERS MUST BE IN ACCORDANCE WITH THIS DRAWING & THE FLORIDA BUILDING CODE. IF A DIFFERENCE OCCURS BETWEEN THE MINIMUM REQUIREMENTS OF THIS DRAWING & THE CODE, THE CODE SHALL CONTROL.
6. SUPPORTS MUST BE DESIGNED TO WITHSTAND WIND LOADS AS REQUIRED FOR EACH APPLICATION AND ARE THE RESPONSIBILITY OF OTHERS.
7. PANELS MAY SPAN BETWEEN BOTTOM TO TOP SUPPORTS OR SIDE TO SIDE SUPPORTS.

DRAWN BY: B.S.	CHECKED BY:
DATE 11/21/11	
NO.	REVISION DESCRIPTION

DRAWING TITLE
MASTERRIB WALL PANEL OVER WOOD SUPPORTS

CONSULTANTS
BALA SOCKALINGAM, PH.D., P.E.
1216 N. LANSING AVE., SUITE C
TULSA, OK 74106
PHONE: 918-492-5992 FAX: 866-366-1543

MANUFACTURER
UNION CORRUGATING CO.
701 S. KING STREET
FAYETTEVILLE, NC 28301
910-483-0479

DRAWING NO. 2173-2	REV.
SHEET NO. 1	OF 1

UNION CORRUGATING COMPANY

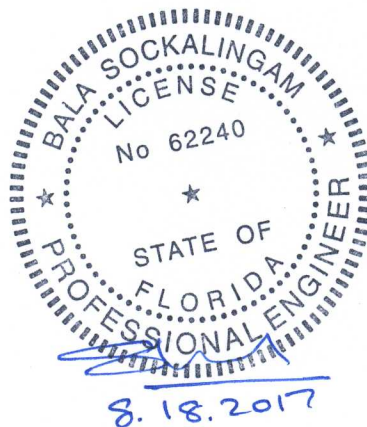
MasterRib Wall Panel

36" wide, 29 ga. (min) Steel Panel over Wood Supports

Span Condition	Loading Type	Allowable Load (psf)								
		Support Spacing (ft)								
		1.50	1.75	2.00	2.25	2.50	2.75	3.00	3.50	4.00
Two Span	Positive	106.4	91.2	79.8	70.9	63.9	58.0	53.2	45.6	36.3
	Negative	84.9	72.8	63.7	56.6	51.0	46.3	42.5	36.4	29.0
Three Span	Positive	120.9	103.7	90.7	80.6	72.6	66.0	60.5	51.8	45.4
	Negative	96.5	82.7	72.4	64.4	57.9	52.7	48.3	41.4	36.2
Four or More Spans	Positive	116.4	99.8	87.3	77.6	69.8	63.5	58.2	49.9	42.4
	Negative	92.9	79.6	69.7	61.9	55.7	50.7	46.5	39.8	33.8

Notes:

1. Allowable load for each condition is the smallest load calculated based on fastener capacity, panel strength and deflection limit of L/120. Allowable loads are calculated for minimum 29 ga. panel.
2. The wind load is taken as 0.7 times the "component and cladding" loads for the purpose of determining deflection limit.
3. The panel allowable properties are determined from full scale ASTM E1592 tests at 4' 0" span
4. The panel fasteners are #9-15 or #10-14 x 1.5" long wood screws with washers. Fastener spacing across panel width is 9.0" o.c. in the interior supports and 3.5"-5.5"-3.5" o.c. at panel ends.
5. Sidelap fasteners are 1/4"-14 x 7/8" long self drilling screws with washer at 24" o.c.
6. Wood supports are minimum 2" x 2" lumber. All supports must be designed to resist all loads imposed on the panel.
7. Minimum bearing width of support is 1.5".
8. The panels may span from bottom to top supports or side to side supports.
9. Panels must be installed as per Evaluation Report FL 9557.2 and Union current installation procedure.



1216 N Lansing Ave. Suite C
Tulsa, OK 74106
918 492 5992

Bala Sockalingam, Ph.D., P.E.
PE 62240